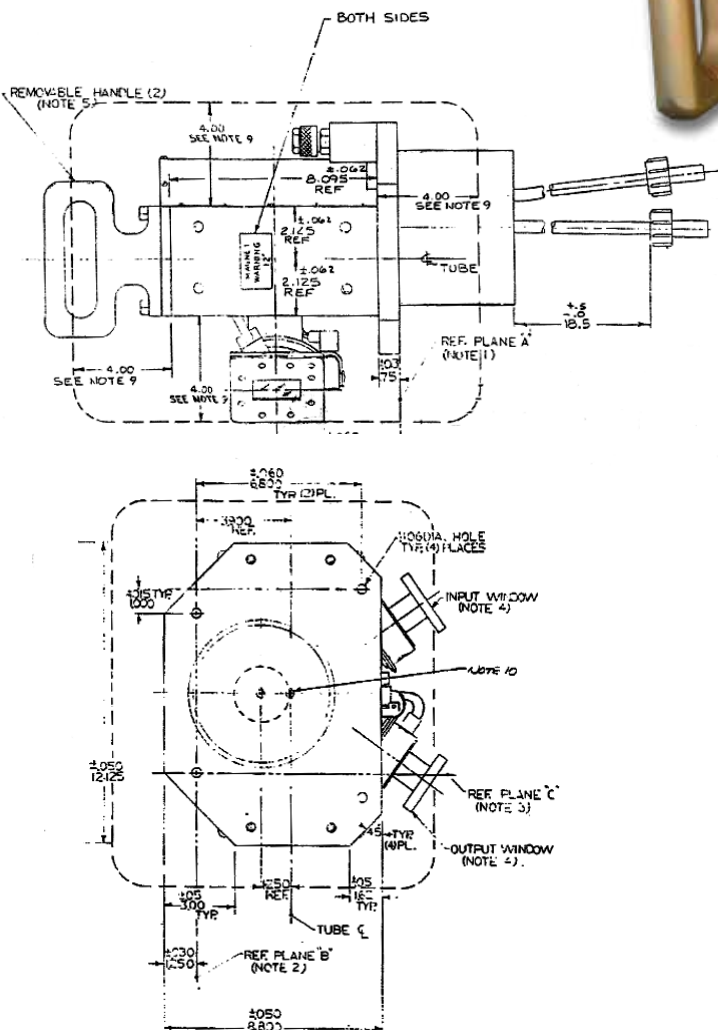
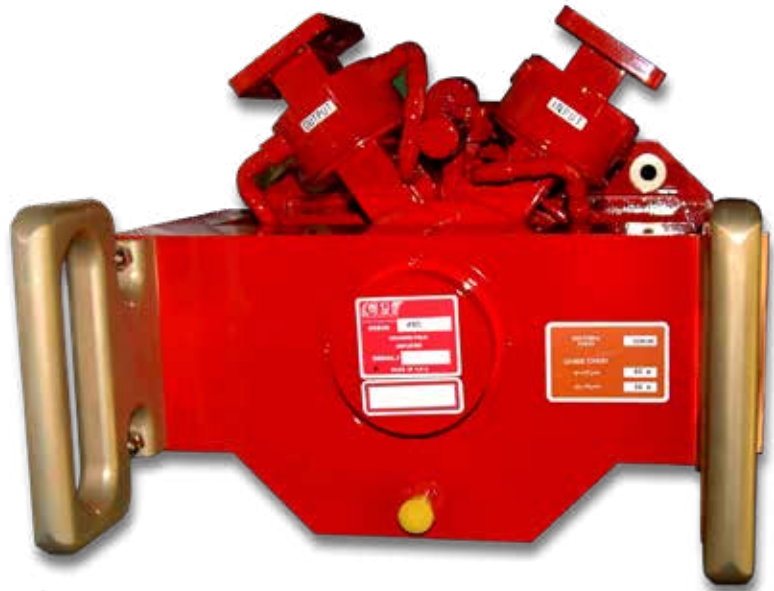


Communications & Power Industries Crossed-Field Amplifier

With a history of producing high quality products, we can help you with your CFA.

Contact us at BMDMarketing@cpii.com or at call us at +1 978-922-6000.



FEATURES:

- Frequency: 5.4 - 5.9 GHz
- Peak power: 500 kW
- Duty cycle: 0.0025
- Pulsewidth: 3.5 μ Sec
- Anode voltage 27 kV
- Cold cathode
- Water cooled
- Control electrode pulsed

BENEFITS:

- High peak power
- Wide bandwidth

APPLICATIONS:

- Ground based radar



Beverly Microwave Division
150 Sohier Road
Beverly, Massachusetts
USA 01915

tel +1 978-922-6000
email BMDMarketing@cpii.com
fax +1 978-922-8914
web www.cpii.com

For more detailed information, please refer to the corresponding CPI technical description if one has been published, or contact CPI. Specifications may change without notice as a result of additional data or product refinement. Please contact CPI before using this information for system design.

©2023 Communications & Power Industries LLC. Company proprietary: use and reproduction is strictly prohibited without written authorization from CPI. 2/23